

Notes:

Angular tolerances +/-10'

Fine polish both 19.8 x10mm faces

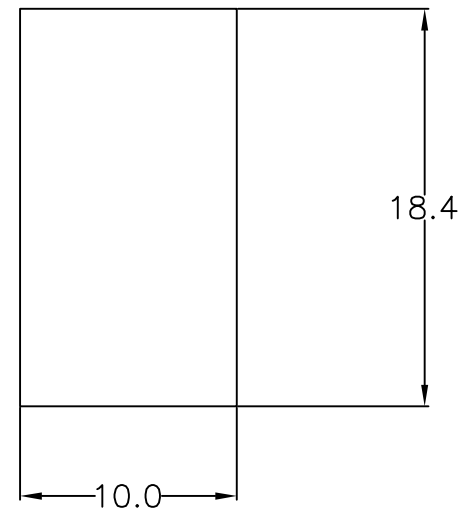
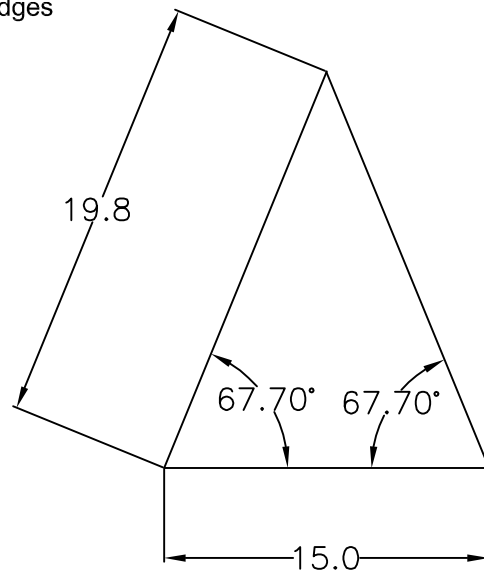
S:D 60:40

<1 lambda @ 633nm

Sides fine ground

Break-edge chamfers on all edges

CRYS



NOTE:
67.7° is Brewster angle for 3000nm

DRAWING No	Issue		TOLERANCES UNLESS OTHERWISE STATED Dimensions: +/-0.1 Dimensions in millimeters	Drawn by	KJM	Scale	Material:
	ZNSEPRISM20-BREW			Checked by			
TITLE	06		CRYSTRAN LTD Poole, Dorset, UK				
	05						
	04						
	03						
	02						
	KJM	6th Mar 2012					